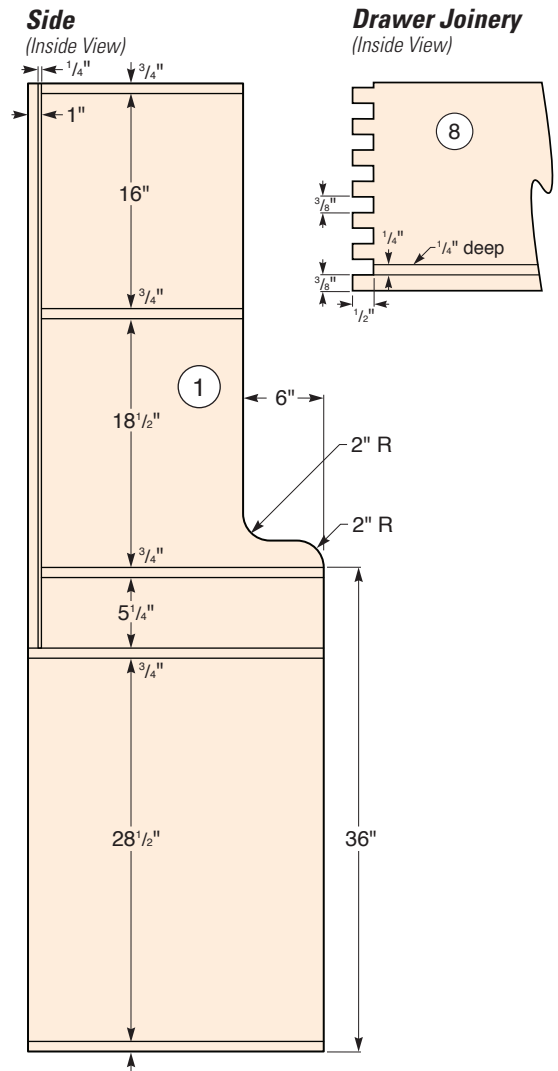
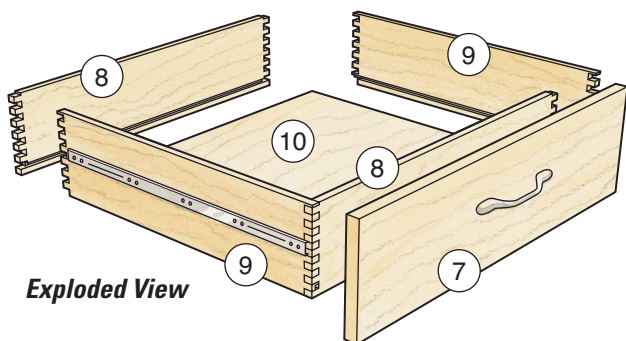


**Exploded View**



## MATERIAL LIST

	<b>T x W x L</b>
<b>1</b> Sides (2)	3/4" x 22" x 72"
<b>2</b> Top and Middle Shelves (2)	3/4" x 15" x 22 3/4"
<b>3</b> Drawer Shelf, Bottom (2)	3/4" x 22" x 22 3/4"
<b>4</b> Stretchers (2)	3/4" x 4" x 22 1/2"
<b>5</b> Back (1)	1/4" x 23" x 42"
<b>6</b> Counter (1)	3/4" x 22 3/4" x 21"
<b>7</b> Drawer Face (1)	3/4" x 6 1/2" x 23 3/4"
<b>8</b> Drawer Front and Back (2)	1/2" x 5" x 21 1/2"
<b>9</b> Drawer Sides (2)	1/2" x 5" x 19"
<b>10</b> Drawer Bottom (1)	1/4" x 18 1/2" x 21"



**Exploded View**