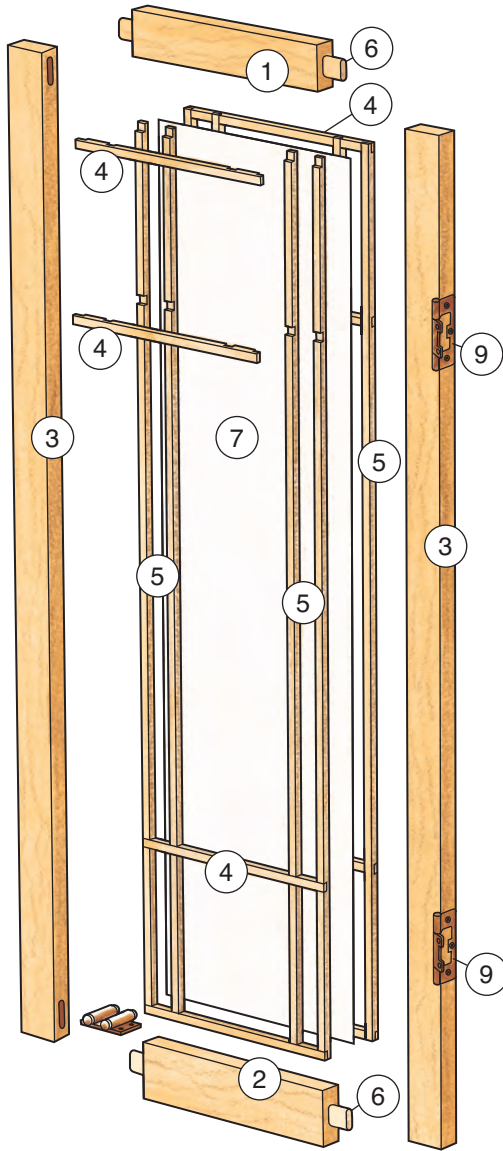
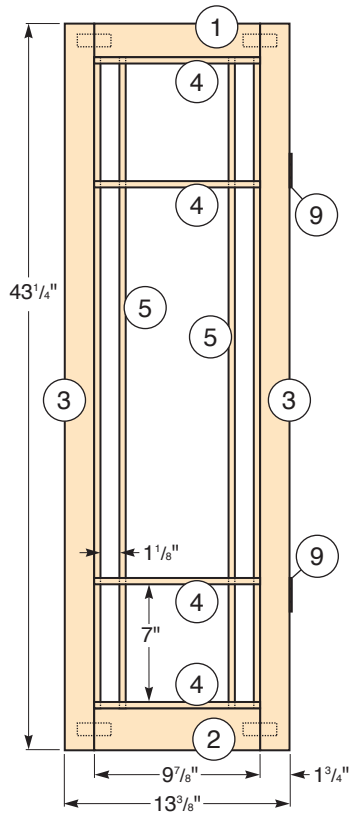


Exploded View

Shutter Screen
(Front View)



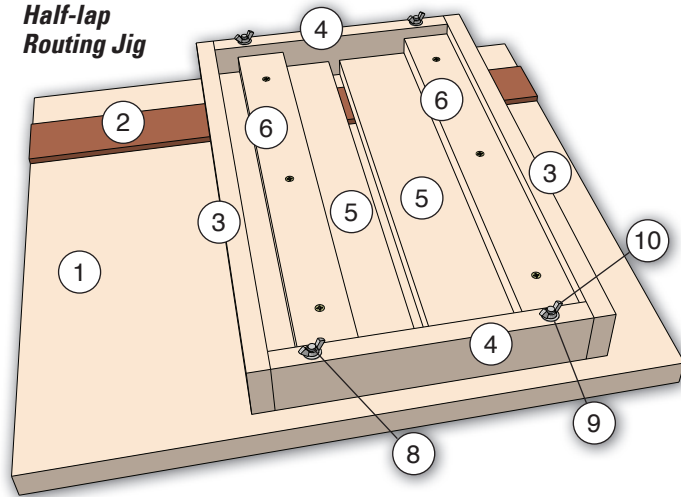
MATERIAL LIST*

	T x W x L
1 Top Rails (2)	1" x 2" x 9 7/8"
2 Bottom Rails (2)	1" x 2 1/2" x 9 7/8"
3 Stiles (4)	1" x 1 3/4" x 43 1/4"
4 Horizontal Lattice Strips (16)	3/8" x 3/8" x 9 7/8"
5 Vertical Lattice Strips (16)	3/8" x 3/8" x 38 3/4"
6 Domino Tenons** (8)	8 x 50 mm
7 Translucent Screens (2)	9 7/8" x 38 3/4"
8 Brass Screws (8)	#4 x 5/8"
9 Shutter Hinges (2 pr.)	3" Non-Mortise Butt Hinges

*The length of all pieces is dependent on the window frame size.

**Dominos can be substituted with plate-joining biscuits or 3/8"-dia. dowels.

**Half-lap
Routing Jig**



MATERIAL LIST

	T x W x L
1 Base (1)	3/4" x 20 3/4" x 22"
2 Fence (1)	1/4" x 2 1/2" x 22"
3 Router Carriage Frame Sides (2)	3/4" x 2" x 19 1/2"
4 Router Carriage Frame Ends (2)	3/4" x 2" x 10 1/2"
5 Router Carriage Frame Bases (2)	3/4" x 5" x 18"
6 Router Carriage Guide Rails (2)	3/4" x 2" x 18"
7 Self-adhesive Abrasive (2)	2 1/2" wide x 19"
8 Carriage Bolts (4)	4" x 1/4"-20
9 Washers (4)	3/8"
10 Wingnuts (4)	1/4"-20