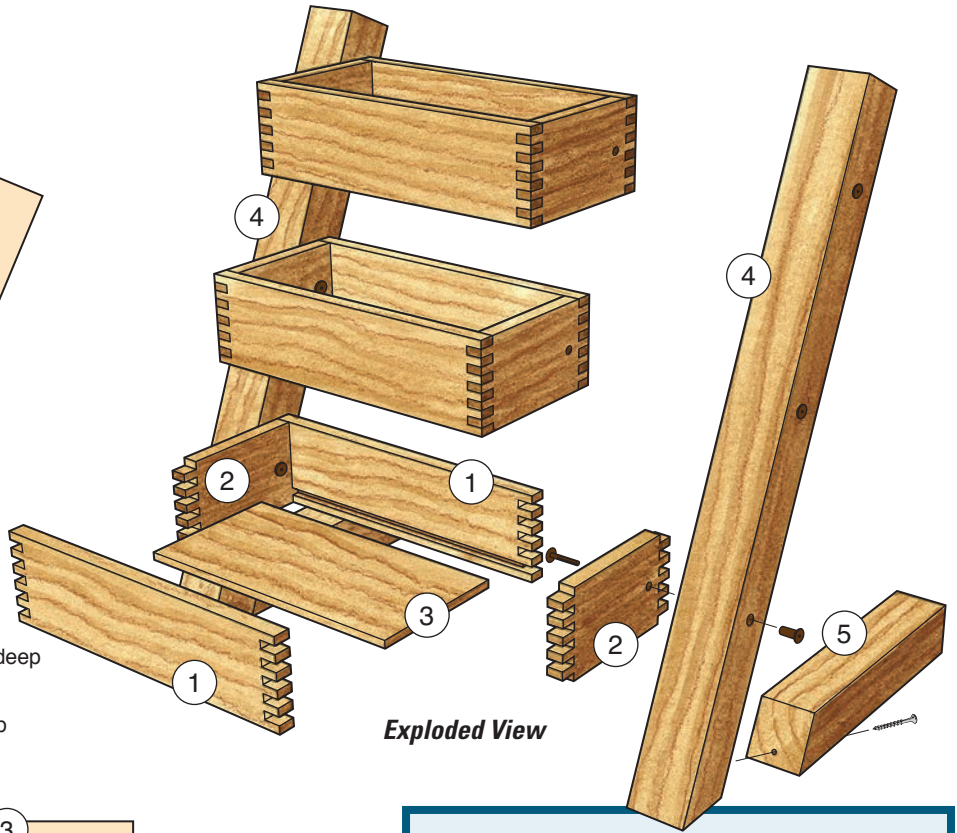
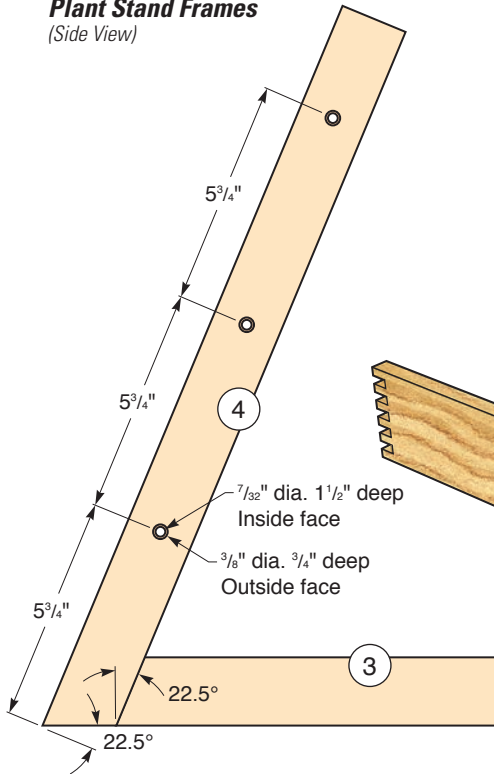


Plant Stand Frames
(Side View)



Exploded View

MATERIAL LIST

	T x W x L
1 Box Fronts, Backs (6)	1/2" x 2 3/4" x 10"
2 Box Ends (6)	1/2" x 2 3/4" x 5"
3 Box Bottoms (3)	1/4" x 4 1/2" x 9"
4 Frame Uprights (2)	1 3/4" x 1 3/4" x 20"
5 Frame Bases (2)	1 3/4" x 1 3/4" x 9 3/4"

Box Joints
(Side View)

