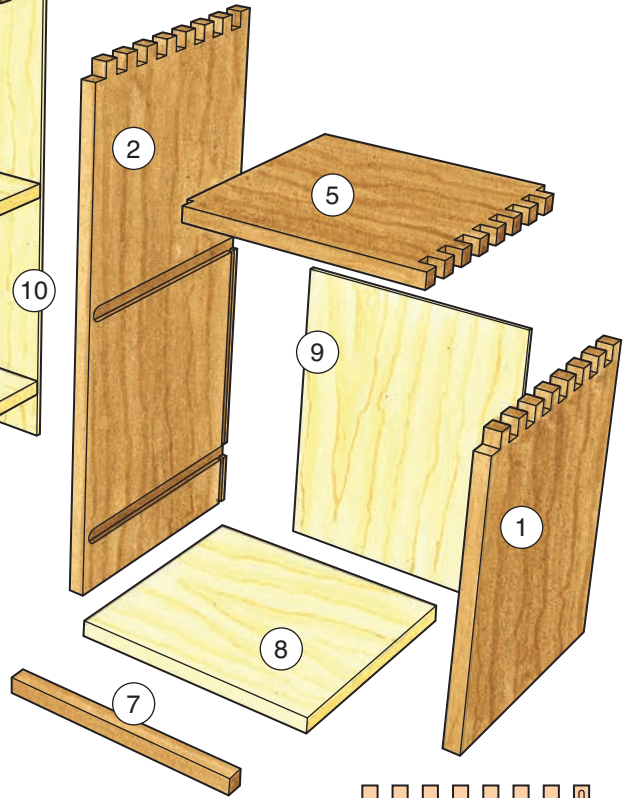


Exploded View



MATERIAL LIST

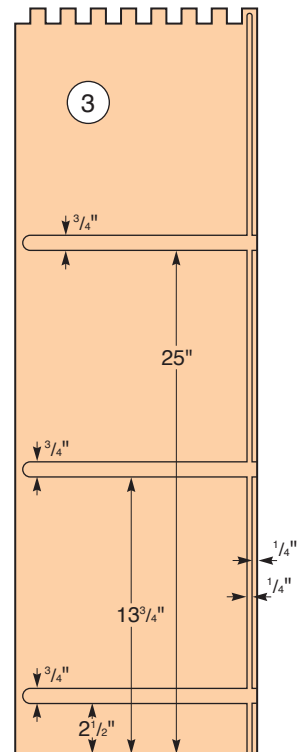
Carcass

	T x W x L
1 Right End Panel (1)	3/4" x 12" x 14 1/2"
2 Right Inner Panel (1)	3/4" x 12" x 25 3/4"
3 Left End Panel (1)	3/4" x 12" x 37"
4 Left Inner Panel (1)	3/4" x 12" x 37"
5 Right and Center Tops (2)	3/4" x 12" x 11 1/2"
6 Left Top (1)	3/4" x 12" x 12"
7 Shelf Edging (6)	3/4" x 3/4" x 10 1/2"
8 Shelves (6)	3/4" x 10 3/4" x 11"
9 Right Back Panel (1)	1/4" x 11" x 14"
10 Center Back Panel (1)	1/4" x 11" x 25 1/4"
11 Left Back Panel (1)	1/4" x 11" x 36 1/2"

Drawers

12 Drawer Fronts, Backs (12)	3/4" x 10 1/2" x 10 1/2"
13 Drawer Sides (12)	3/4" x 10 1/2" x 11 1/2"
14 Drawer Bottoms (5)	1/4" x 9 1/2" x 10 1/2"

Shelf/Top Locations
(Side View)



Drawer Side
(Side View)

