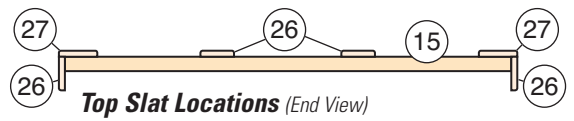
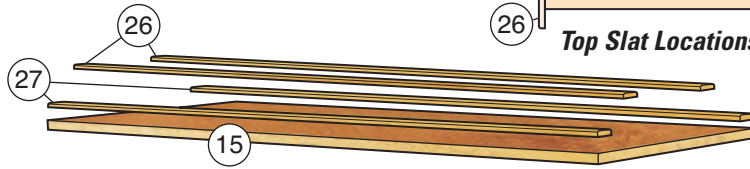


To achieve a classic steamer trunk appearance, the author used mahogany plywood for the sheetstock components, alder for the face frame pieces and red oak for the various slats.



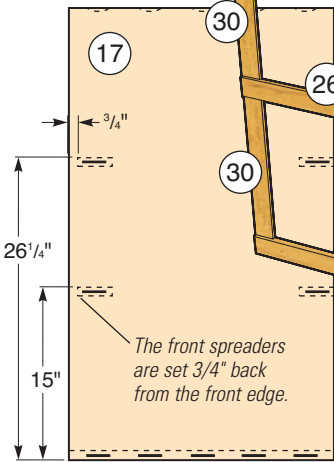
**Top Slats Locations (End View)**

At the corners, pieces 27 overlap pieces 26. Space the remaining slats evenly across the top.



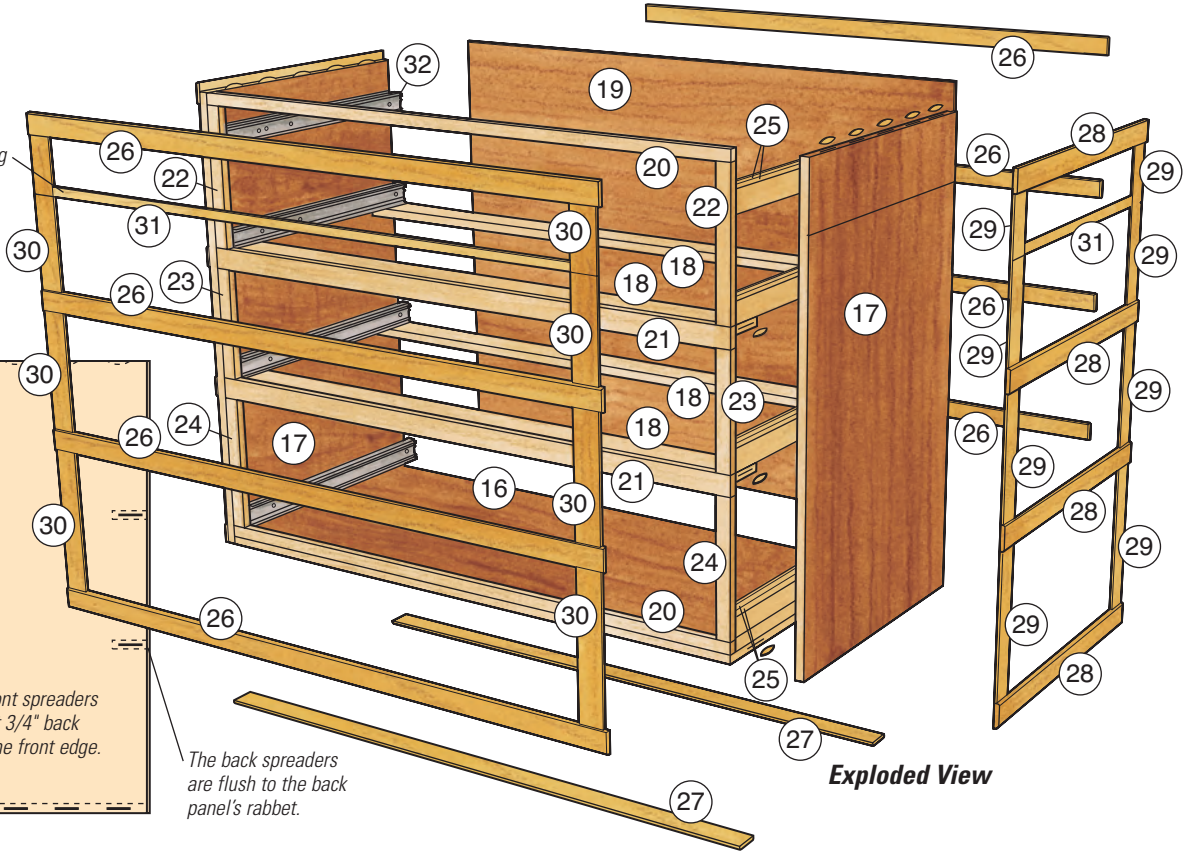
Note: The lid lipping is cut to fit around the hardware.

**Side (Inside View)**



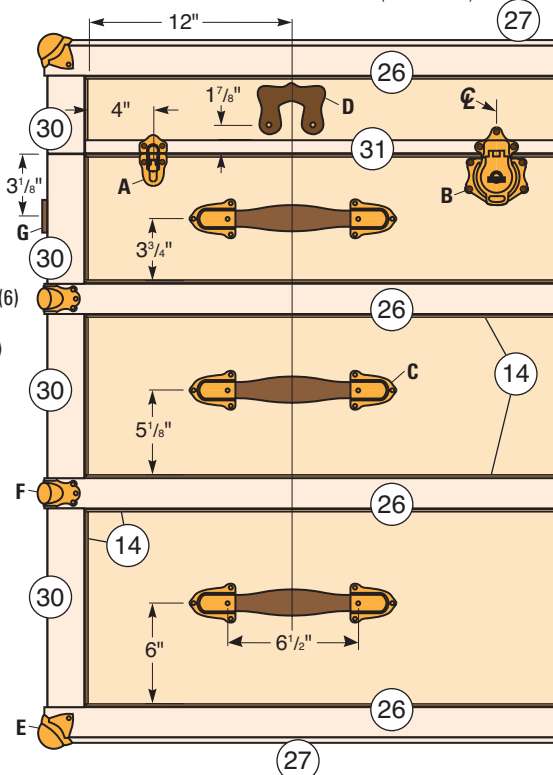
The front spreaders are set 3/4" back from the front edge.

The back spreaders are flush to the back panel's rabbet.



**Exploded View**

**Dresser Hardware Locations (Front View)**



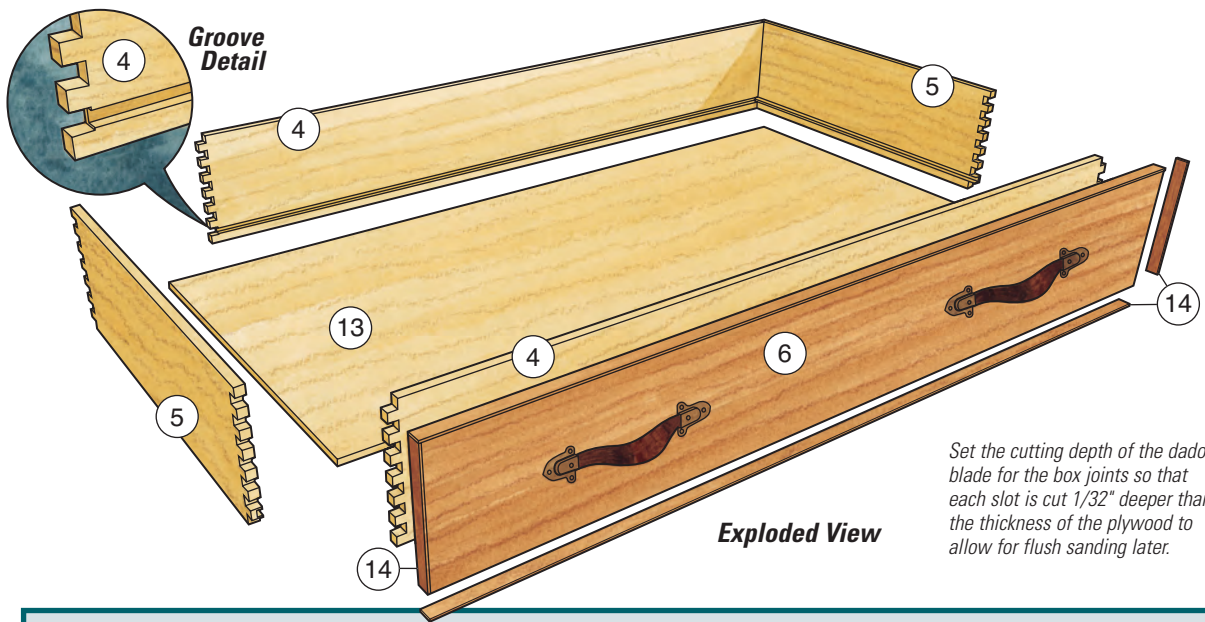
**Hardware:**

- A Drawbolts (2)
- B Trunk Lock (1)
- C Drawer Handles (6)
- D Lid Lifters (2)
- E Corner Bumps (8)
- F Edge Clamps (12)
- G Side Handles (2)

**MATERIAL LIST (CARCASS)**

	<b>T x W x L</b>
15 Top (1)	3/4" x 23 3/4" x 51 3/4"
16 Bottom (1)	3/4" x 23 3/4" x 50 1/4"
17 Sides (2)	3/4" x 23 3/4" x 39 1/4"
18 Spreaders (4)	3/4" x 3" x 50 1/4"
19 Back (1)	1/4" x 39 1/4" x 51 3/8"
20 Top and Bottom Face Frame (2)	3/4" x 1" x 50 1/4"
21 Center Horizontal Face Frames (2)	3/4" x 1 1/4" x 50 1/4"
22 Top Side Face Frames (2)	3/4" x 1 1/4" x 12"
23 Middle Side Face Frames (2)	3/4" x 1 1/4" x 9 1/2"
24 Bottom Side Face Frames (2)	3/4" x 1 1/4" x 11 1/2"
25 Drawer Spacers (16)	5/8" x 1 1/8" x 22 1/4"
26 Face Slats (10)	5/16" x 1 3/4" x 52 5/8"
27 Top and Bottom Slats (4)	5/16" x 2 1/16" x 52 5/8"
28 Side Slats (8)	5/16" x 1 3/4" x 23 3/4"
29 Narrow Corner Slats (1)	1/8" x 2" x 140"
30 Wide Corner Slats (1)	1/8" x 2 5/8" x 70"
31 Lid Lipping (1)	1/8" x 3/4" x 90"
32 Drawer Slides (4 pairs)*	Centerline #24396

\*The slides are available at [rockler.com](http://rockler.com)



Set the cutting depth of the dado blade for the box joints so that each slot is cut  $1/32$ " deeper than the thickness of the plywood to allow for flush sanding later.

**Exploded View**

## MATERIAL LIST (DRAWERS)

	<b>T x W x L</b>		<b>T x W x L</b>
<b>1</b> Top Drawer Front and Back (2)	$1/2" \times 4" \times 46^{13}/16"$	<b>8</b> Third Drawer Sides (2)	$1/2" \times 8^{1}/2" \times 22^{1}/16"$
<b>2</b> Top Drawer Sides (2)	$1/2" \times 4" \times 22^{1}/16"$	<b>9</b> Third Drawer Face (1)	$3/4" \times 9^{9}/8" \times 47^{5}/16"$
<b>3</b> Top Drawer Face (1)	$3/4" \times 4^{1}/8" \times 47^{5}/16"$	<b>10</b> Fourth Drawer Front and Back (2)	$1/2" \times 10^{1}/2" \times 46^{13}/16"$
<b>4</b> Second Drawer Front and Back (2)	$1/2" \times 7" \times 46^{13}/16"$	<b>11</b> Fourth Drawer Sides (2)	$1/2" \times 10^{1}/2" \times 22^{1}/16"$
<b>5</b> Second Drawer Sides (2)	$1/2" \times 7" \times 22^{1}/16"$	<b>12</b> Fourth Drawer Face (1)	$3/4" \times 11^{1}/8" \times 47^{5}/16"$
<b>6</b> Second Drawer Face (1)	$3/4" \times 7^{7}/8" \times 47^{5}/16"$	<b>13</b> Drawer Bottoms (4)	$3/8" \times 21^{1}/2" \times 46^{1}/4"$
<b>7</b> Third Drawer Front and Back (2)	$1/2" \times 8^{1}/2" \times 46^{13}/16"$	<b>14</b> Drawer Face Banding (1)	$1/8" \times 13^{1}/16" \times 450"$