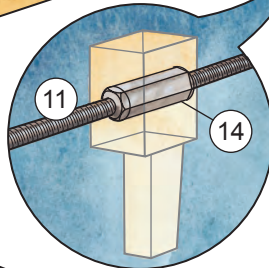


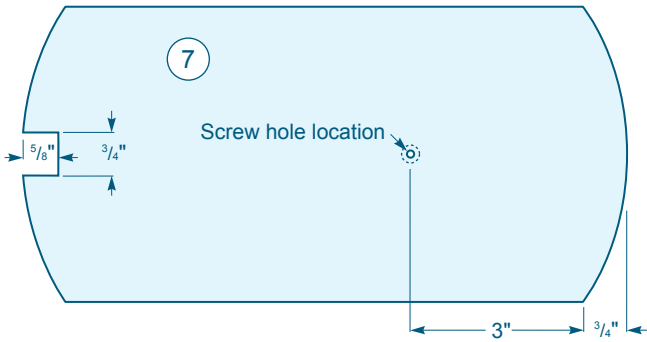
**Exploded View**

**Clamping Foot Detail**

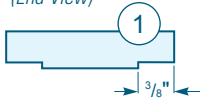


A coupler, usually used to join two threaded rods together, is used in this case to move the clamping foot fore and aft on the rod. It is epoxied in place.

**Outfeed Support**  
(Top View)

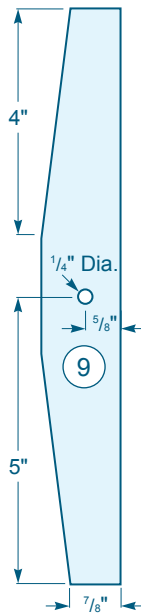


**Top Cap**  
(End View)

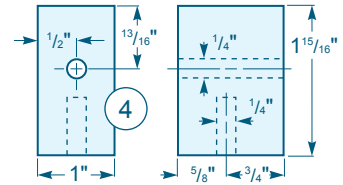


The size of the hole bored for the coupler will be determined by the hardware.

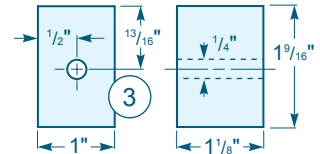
**Front Stop**  
(Top View)



**Front End Block**  
(Front and Side Views)



**Back End Block**  
(Front and Side Views)



**Sliding Stop Block**  
(Front and Side Views)

