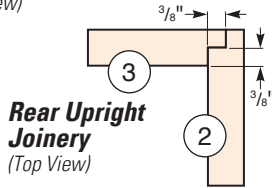
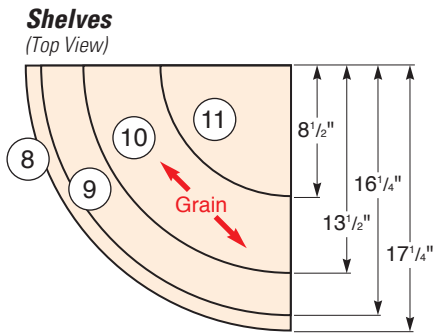


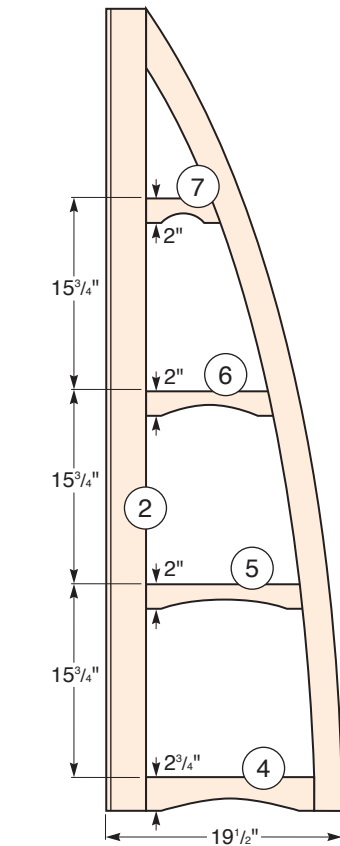
**Curved Upright Layout**  
(Top View)



**Rear Upright Joinery**  
(Top View)

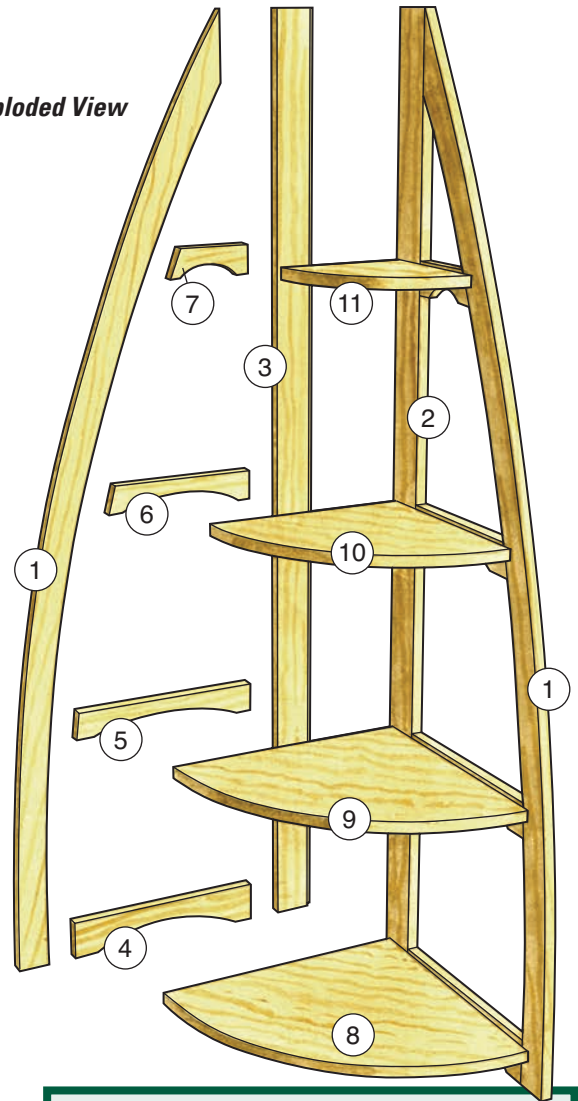


**Shelves**  
(Top View)



**Rail Locations**  
(Side View)

**Exploded View**



**MATERIAL LIST**

	<b>T x W x L</b>
<b>1</b> Front Curved Uprights (2)	3/4" x 2 1/4" x 67 1/2"
<b>2</b> Rear Upright #1 (1)	3/4" x 3 1/4" x 65 1/2"
<b>3</b> Rear Upright #2 (1)	3/4" x 2 7/8" x 65 1/2"
<b>4</b> Bottom Rails (2)	3/4" x 2 3/4" x 14"
<b>5</b> Lower Middle Rails (2)	3/4" x 2" x 13 1/4"
<b>6</b> Upper Middle Rails (2)	3/4" x 2" x 10 3/8"
<b>7</b> Top Rails (2)	3/4" x 2" x 5 1/4"
<b>8</b> Bottom Shelf (1)	3/4" x 17 1/4" radius
<b>9</b> Lower Middle Shelf (1)	3/4" x 16 1/4" radius
<b>10</b> Upper Middle Shelf (1)	3/4" x 13 1/2" radius
<b>11</b> Top Shelf (1)	3/4" x 8 1/2" radius