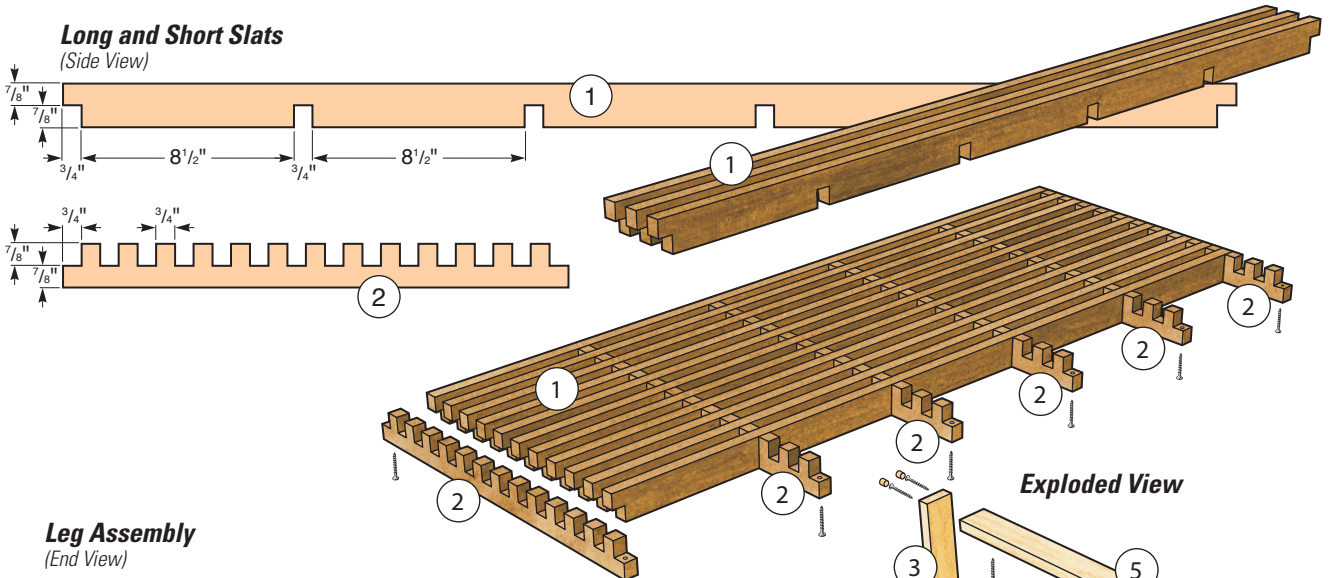
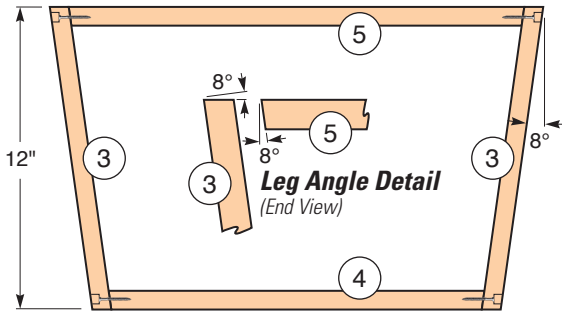


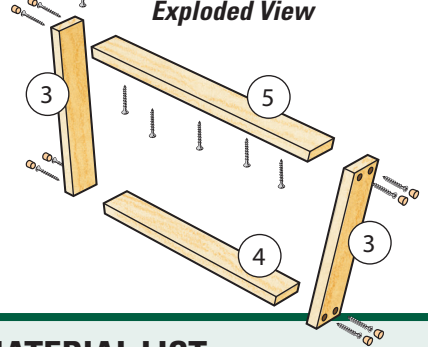
Long and Short Slats
(Side View)



Leg Assembly
(End View)



Exploded View



MATERIAL LIST

	T x W x L
1 Long Slats (14)	3/4" x 1 3/4" x 47"
2 Short Slats (6)	3/4" x 1 3/4" x 20 1/4"
3 Leg Uprights (4)	3/4" x 2 1/4" x 12 1/4"
4 Lower Leg Crosspieces (2)	3/4" x 2 1/4" x 15 1/8"
5 Upper Leg Crosspieces (2)	3/4" x 2 1/4" x 18 1/4"