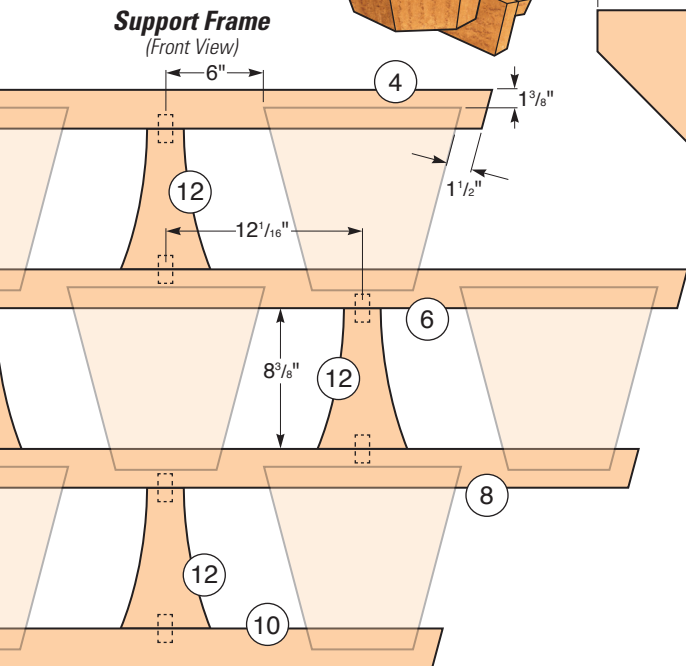


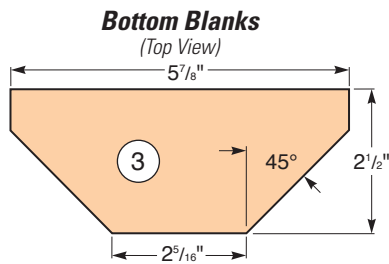
Exploded View

MATERIAL LIST

	T x W x L
1 Container Stave Blanks (28)	3/4" x 5" x 11 3/8"
2 Container Back Blanks (7)	3/4" x 10 5/8" x 11"
3 Container Bottom Blanks (7)	1/2" x 2 1/2" x 5 1/8"
4 Top Rail (1)	3/4" x 2 3/4" x 40"
5 Top Rail Cutoff (1)	3/4" x 13/16" x 40"
6 Second Rail (1)	3/4" x 2 3/4" x 64"
7 Second Cutoff (1)	3/4" x 13/16" x 64"
8 Third Rail (1)	3/4" x 2 3/4" x 58"
9 Third Rail Cutoff (1)	3/4" x 13/16" x 58"
10 Bottom Rail (1)	3/4" x 2 3/4" x 34"
11 Bottom Rail Cutoff (1)	3/4" x 13/16" x 34"
12 Riser Blanks (4)	3/4" x 5 1/2" x 8 3/8"
13 Spacer Block (1)	3/4" x 2 1/4" x 2 1/4"
14 Domino Loose Tenons (8)	8 mm x 40 mm

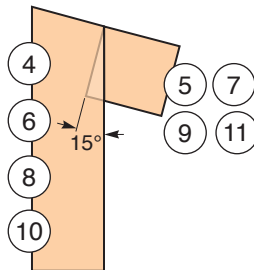


Support Frame
(Front View)

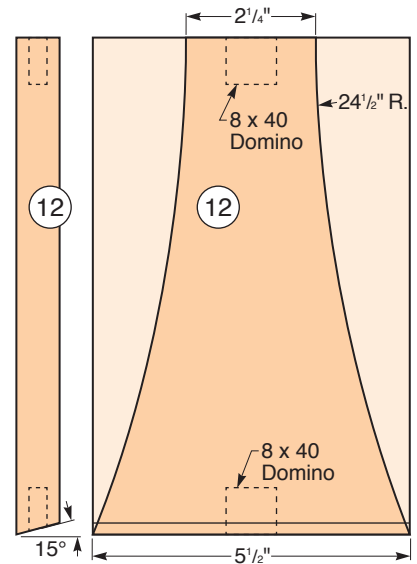


Bottom Blanks
(Top View)

Rails and Rail Cutoffs
(Side View)



Riser Blanks
(Side and Front Views)



Drip Irrigation Supplies

- | | |
|--|---|
| 4 ft. 1/2" tubing | (8) 1/4" tubing support clamps |
| (5) 1/2" tubing support clamps | (7) 1/4" barbed connector fittings |
| (1) 1/2" hose end clamp | (6) 1/4" barbed elbow fittings |
| (1) 1/2" to garden hose (or tubing) connector fitting. | (7) 1/4" 1/2-gallon-per-hour pressure compensating drippers |
| 20 ft. 1/4" tubing | (1) 1/4" drip irrigation hose punch |