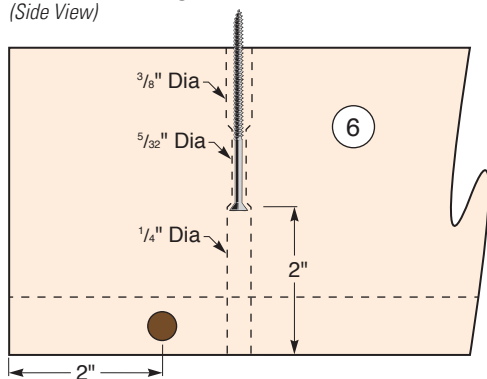


**Exploded View**

**Screw Mounting Detail**

(Side View)



**MATERIAL LIST**

|                           | T x W x L                |
|---------------------------|--------------------------|
| <b>1</b> Top #1 (1)       | 3/4" x 20" x 36"         |
| <b>2</b> Top #2 (1)       | 3/4" x 20" x 36 1/2"     |
| <b>3</b> Chevrons (24)    | 1/8" x 3 1/8" x 15"      |
| <b>4</b> Edge Banding (1) | 1/32" x 2" x 10'         |
| <b>5</b> Cubby Bottom (1) | 3/4" x 14 3/4" x 18 3/4" |
| <b>6</b> Cubby Sides (2)  | 3/4" x 4" x 14 3/4"      |
| <b>7</b> Cubby Dowels (6) | 3/8" Dia x 2"            |