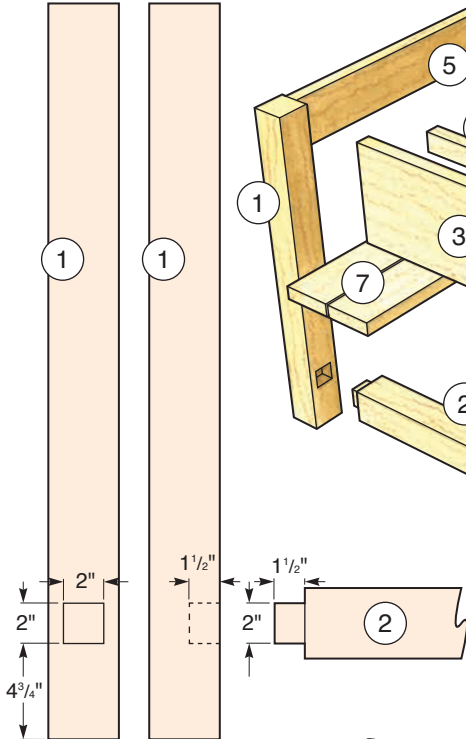
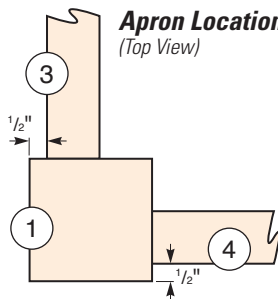


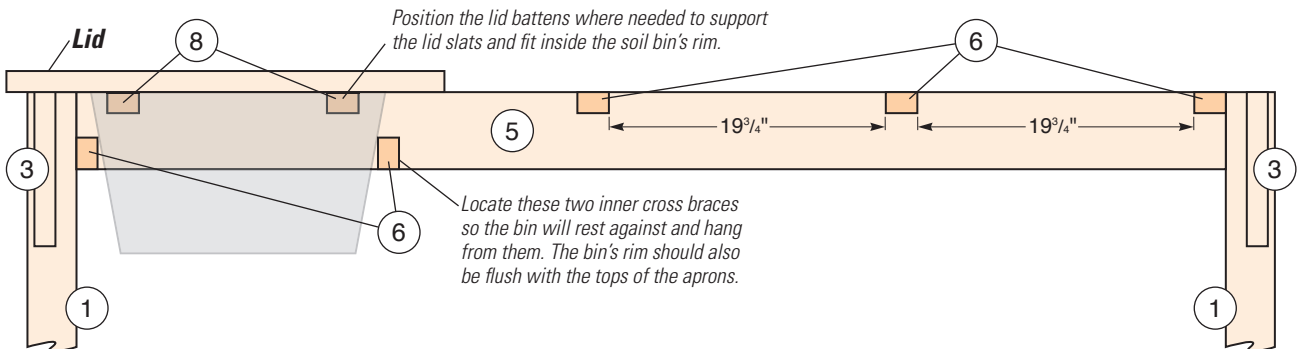
Leg Mortise Locations
(Inside and Front Views)



Apron Locations
(Top View)



**Inner Cross
Brace Locations**
(Front View)



MATERIAL LIST

| | T x W x L |
|----------------------------|---------------------------|
| 1 Legs (4) | 3 1/2" x 3 1/2" x 36 1/2" |
| 2 Bottom Stretchers (2) | 3 1/2" x 3 1/2" x 21 1/2" |
| 3 Short Aprons (2) | 1 1/2" x 11" x 18 1/2" |
| 4 Front Apron (1) | 1 1/2" x 11" x 82" |
| 5 Back Apron (1) | 1 1/2" x 5 1/2" x 82" |
| 6 Inner Cross Braces (5) | 1 1/2" x 2 1/4" x 21 1/2" |
| 7 Lower Shelf (2) | 1 1/2" x 5 1/2" x 92" |
| 8 Soil Bin Lid Battens (2) | 1 1/2" x 2 1/4" x 19 1/2" |
| 9 Top Slats* (5) | 1 1/2" x 5 1/2" x 92" |

* An artisanal top requires a 32" x 92" glued-up blank