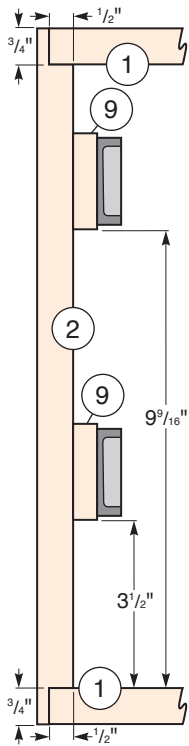
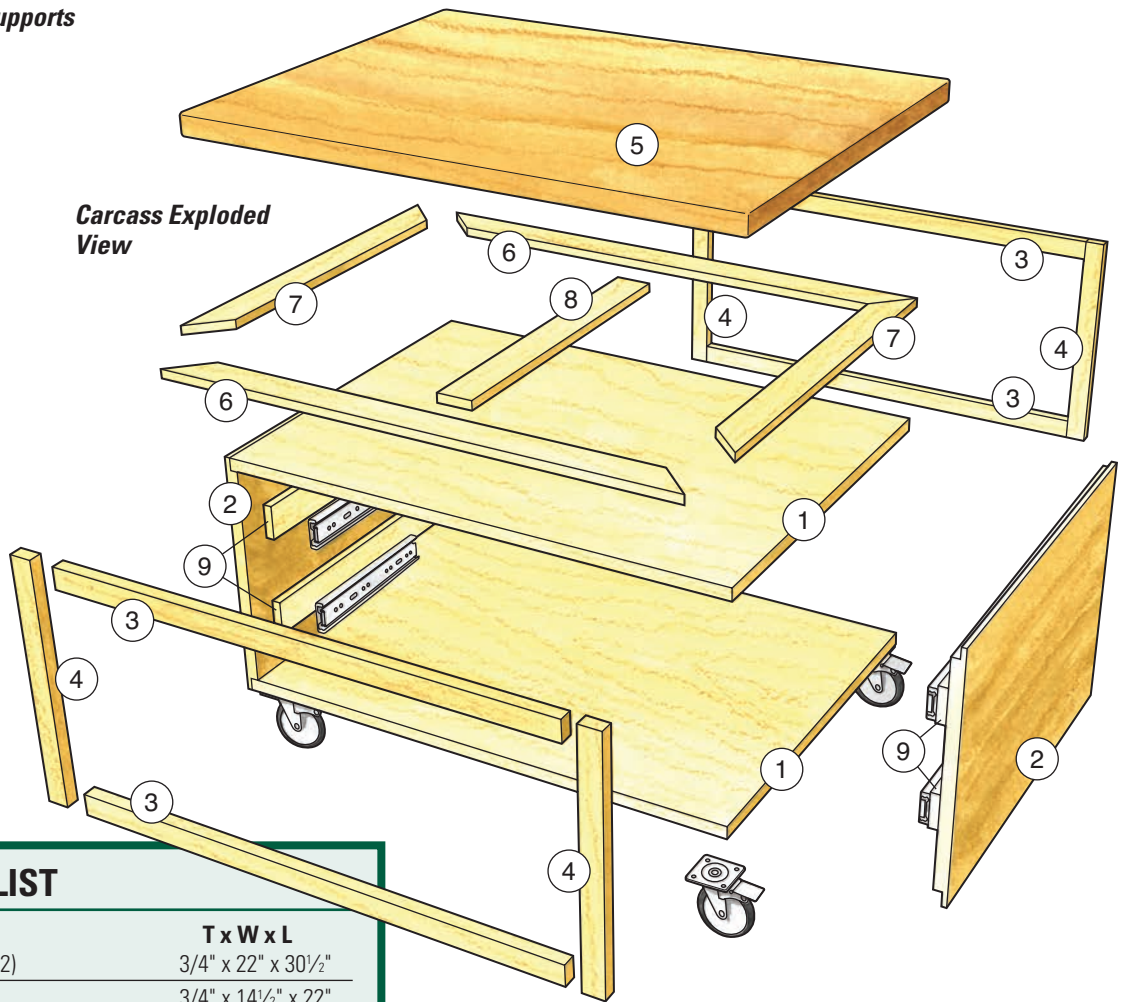


## Drawer Slide Supports

(Front View)



## Carcass Exploded View



## MATERIAL LIST

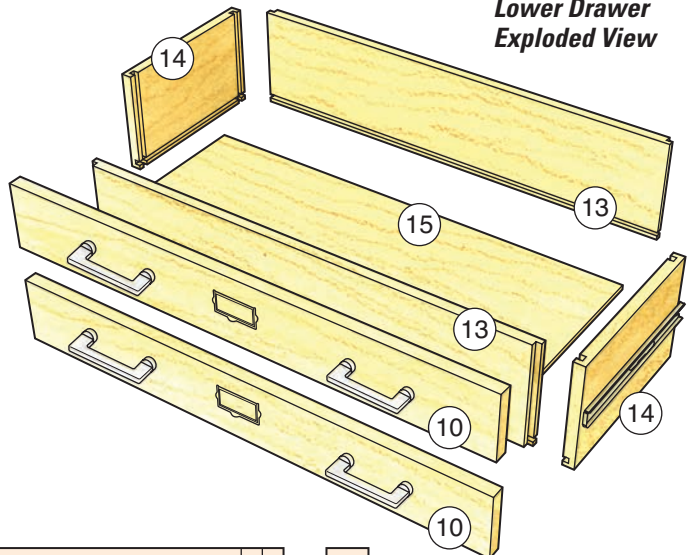
### Carcass

	T x W x L
1 Top and Bottom (2)	3/4" x 22" x 30 1/2"
2 Ends (2)	3/4" x 14 1/2" x 22"
3 Face Frame Rails (4)	3/4" x 1 1/4" x 28 1/2"
4 Face Frame Stiles (4)	3/4" x 1 1/4" x 14 1/2"
5 Tabletop (1)	1 1/4" x 23 1/2" x 31"
6 Long Subframes (2)	1/2" x 2" x 29 1/2"
7 Short Subframes (2)	1/2" x 2" x 22"
8 Subframe Crossmember (1)	1/2" x 2" x 18"
9 Drawer Slide Supports (4)	1/2" x 2" x 22"

### Drawers

10 Drawer Faces (6)	3/4" x 3 7/8" x 28 3/8"
11 Upper Drawer Fronts and Backs (4)	5/8" x 3 1/8" x 27"
12 Upper Drawer Sides (4)	5/8" x 3 1/8" x 10 3/4"
13 Lower Drawer Fronts and Backs (4)	5/8" x 7 1/8" x 27"
14 Lower Drawer Sides (4)	5/8" x 7 1/8" x 10 3/4"
15 Drawer Bottoms (4)	1/4" x 10" x 26 7/8"

## Lower Drawer Exploded View



## Drawer Side

(Inside and End View)

